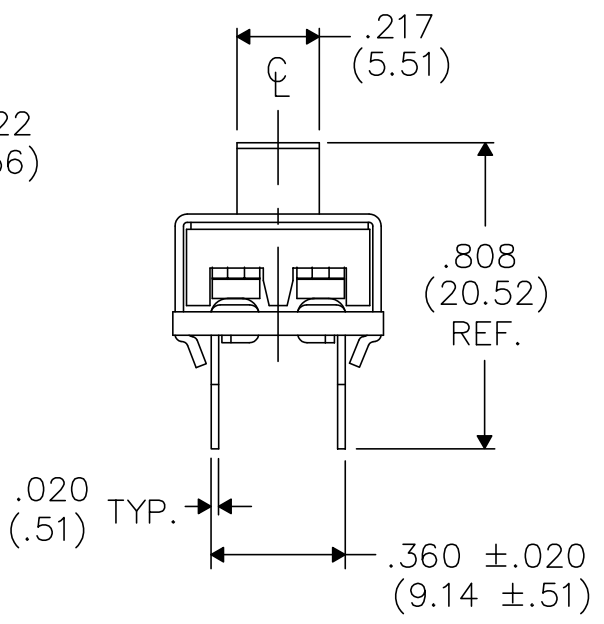
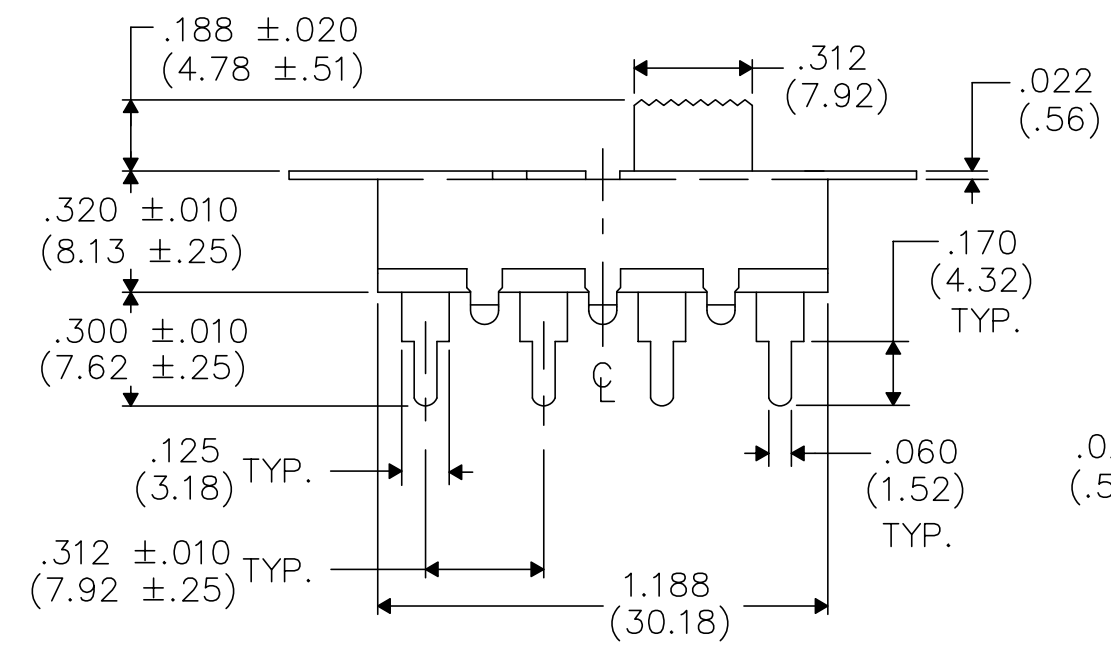
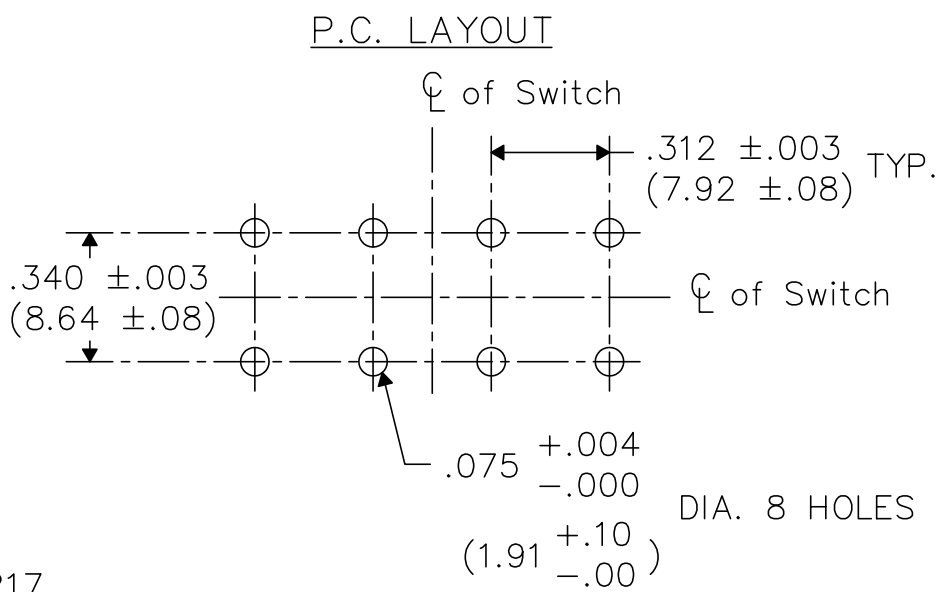
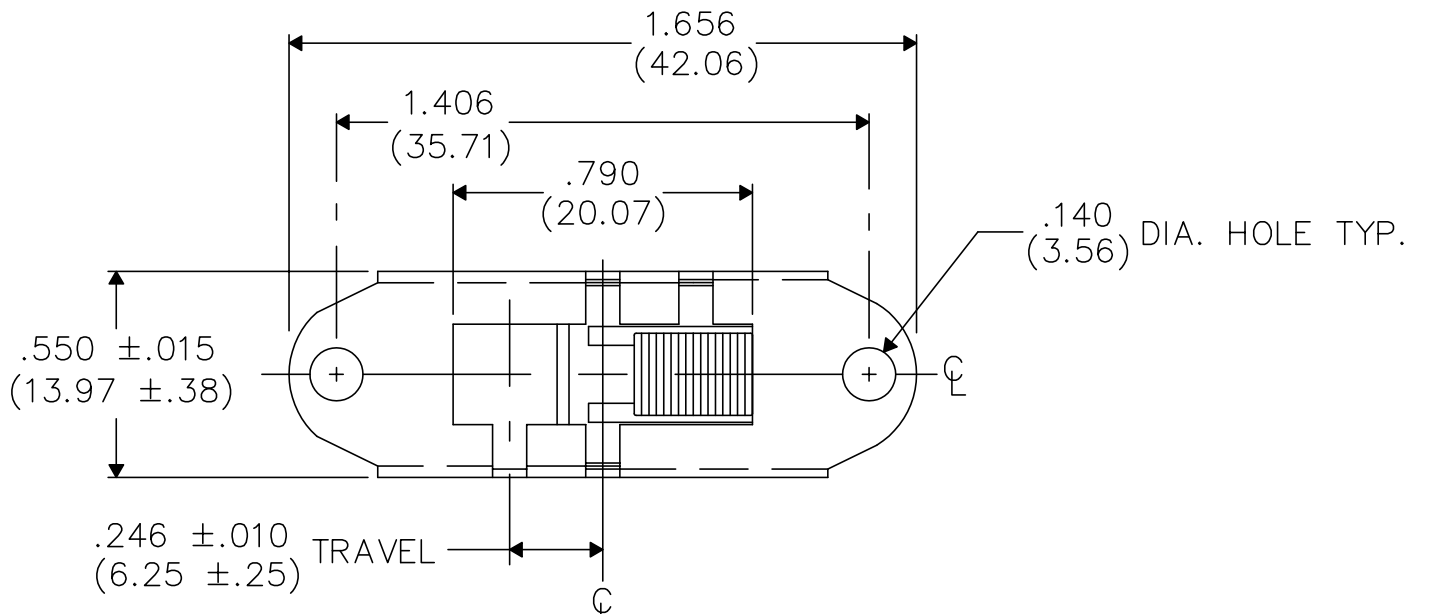


DIMENSIONS IN INCHES (MILLIMETERS)  
DO NOT SCALE DRAWING .....

Dwg. No.  
G-628S-0026



1 2 3 4 5 6 7 8 9 10

B-FORMAT 2002	REVISIONS	0
		RELEASED. DGW 3-23-2004 MAT 03, 2004

PDF File Made	<b>CW INDUSTRIES</b> Southampton, Pa. 18966		Title: SLIDE SWITCH ASSEMBLY D.P.- 3 POS.
	TOLERANCES UNLESS OTHERWISE SPECIFIED		
	2 Place Decimal ±.010	METRIC	Division: SWITCH
	3 Place Decimal ±.005	1 Place Dec. ±.25mm 2 Place Dec. ±.13mm	
Made for:	CW IND.	Dwg. No. G-628S-0026	
Drawn by:	DGW 3-23-2004		
Checked by:	GG 4-13-04		
Approval:	BF 4-27-4		